

SVS VALVE PLUG FORM A 18MM FIELD-WIREABLE

24...230V LED PG9

Form A (18 mm) for pressure switch

24...230 V AC/DC

LED red (2) green (1)

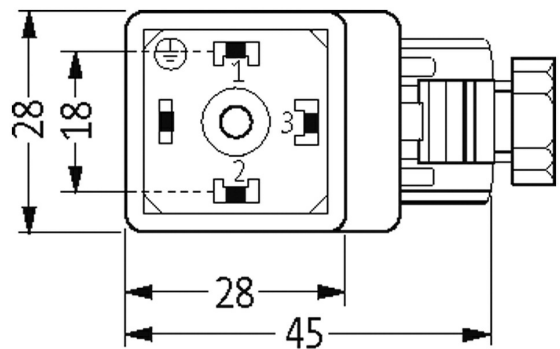
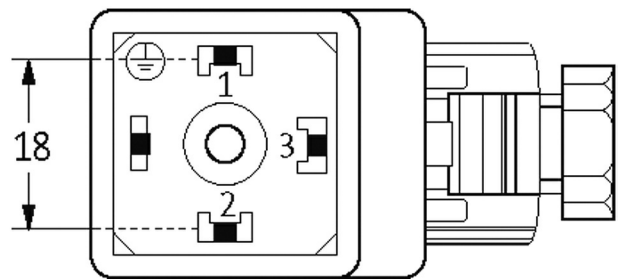
PG9

Plastic housings with good resistance against chemicals and oils.

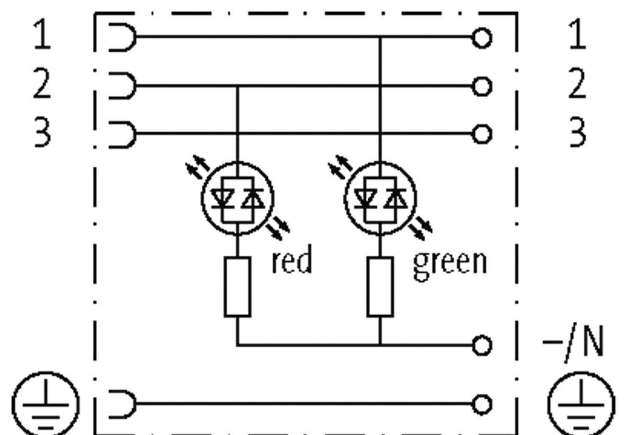
The resistance to aggressive media should be individually tested for your application. Further details on request.

[Link to Product](#)

Illustration



Height: 41 mm



Product may differ from Image

Form	
Form	29341
General data	
Temperature range	-20...+60 °C
Technical Data	
Operating voltage	24...230 V AC/DC
LED display	red (2) green (1)
Current consumption	24 V: approx. 40 mA; 110 V: approx. 3 mA; 230 V: approx. 6 mA
Operating current per contact	max. 4 A
Compression gland	PG9; (PG11, NPT 1/2" on request)
Sealing range (cable Ø)	6...8 mm
Plug color	Black housing, transparent flip top
Protection	IP65 inserted and tightened (EN 60529), with gland
Locking of ports	M3 (recommended torque 0.4 Nm)
Connection cross section	1.5 mm ² (with ferrule end)
Commercial data	
country of origin	CZ
customs tariff number	85366990
EAN	4048879187473
eClass	27279221
Packaging unit	1